

Senior Assembly: Graduation

Wednesday, May 2, 2018
9:40 am (last names A – K)
10:35 am (last names L – Z)
Auditorium



ALTON HIGH SCHOOL
Graduation
Friday, May 25, 2018
7:00 p.m.

Are you ready Redbirds?

- Grades.....check Skyward, with your teachers and your counselor if there are any doubts.
- Please see LaJeanne Moore in the Guidance office about your final transcript request.
- Sharing your information. Signed release.
- Fees paid = walking the stage. Additional fees to be added. Cash/Money order on the 23rd.
- Still need a Cap & Gown? Call Josten's at 654-1001.
- See Mr. Bergin if you are interested in buying a copy of the 2018 Senior Film.
- You can purchase a copy of the 2018 AHS Graduation Ceremony by going to www.riverbender.com
- Check the AHS Guidance website **2018 Graduation** folder for all the information we are providing.

Senior Fun Day

Wednesday, May 9, 2018


- This will be a trip to the St. Louis Zoo.
- Fun, Games, Activities, and Etc...
- Mrs. Mosby will send out directions on Monday May 7, 2018.
- Buses will leave at 9:00a.m. Please review your information that Mrs. Mosby sends out for bus information.
- If you need a lunch and you did not indicate it on the permission slip, please let Mrs. Mosby know.

Cap & Gown Pick Up

- Wednesday, May 23, 2018
- 9:00 am – 2:00 pm
- Enter & Exit auditorium entrance
- **9:00 – 10:00 A – D**
- **10:00 – 11:00 E – K**
- **11:00 – 12:00 L – R**
- **12:00 – 1:00 S – Z**
- **1:00 – 2:00 OPEN**



IMPORTANT:

- **ALL FEES MUST BE PAID IN ORDER TO WALK IN THE GRADUATION CEREMONY!**
 - **ANY MISBEHAVIOR BETWEEN NOW AND GRADUATION MAY PREVENT YOU FROM PARTICIPATING IN THE CEREMONY AND RECEIVING YOUR DIPLOMA.**
- 

Location

- **AHS - GYM**

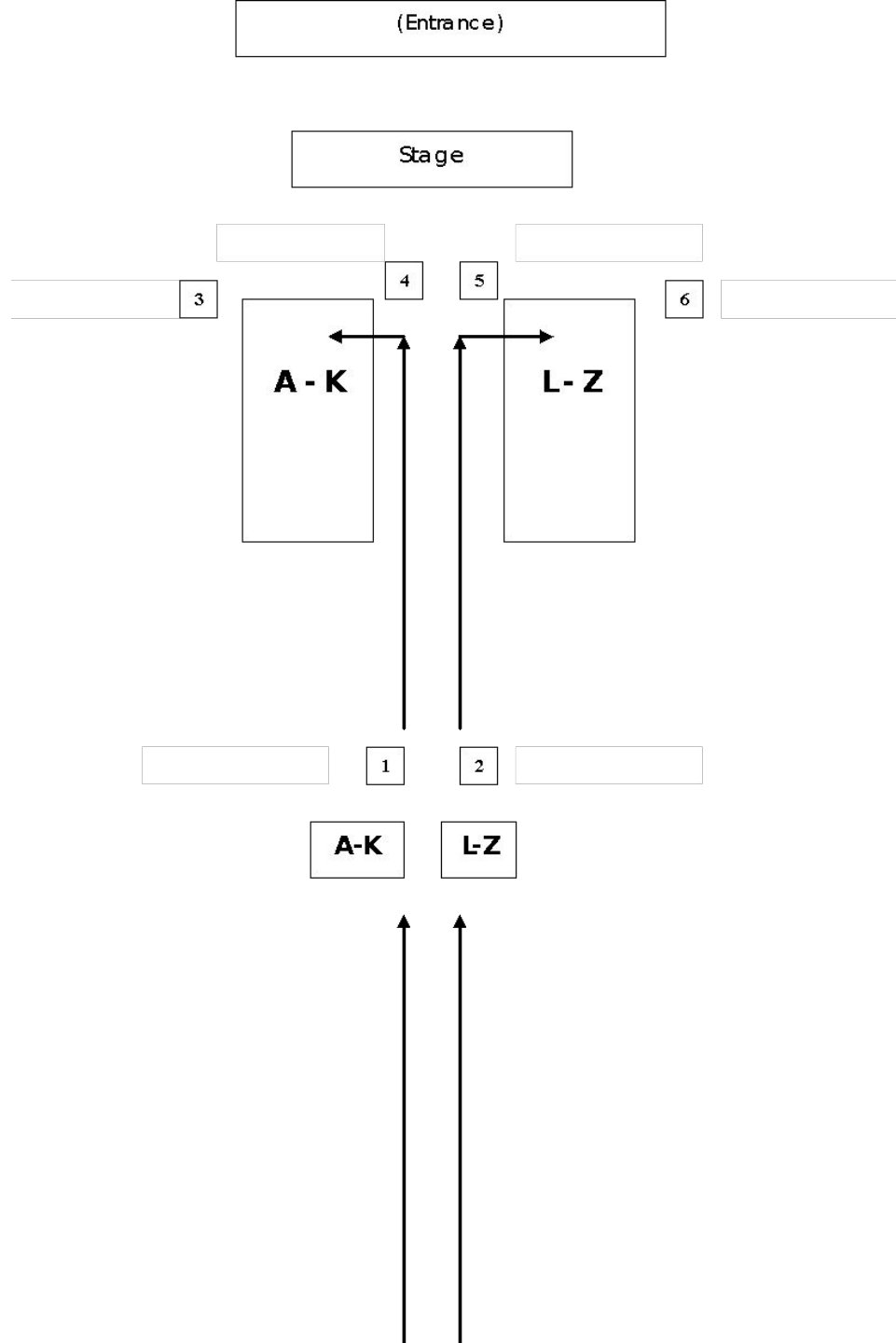
- Students will each receive 4 tickets
- Additional seating will be available in the Commons and Auditorium for family and friends without a ticket to the gym.
- Broadcast live via the internet on Riverbender.com

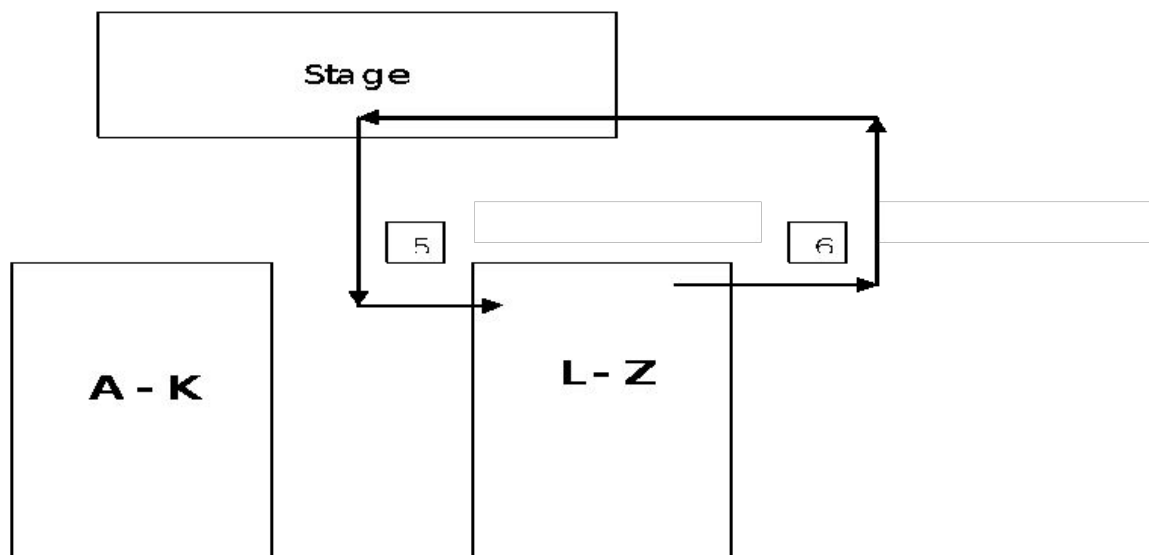
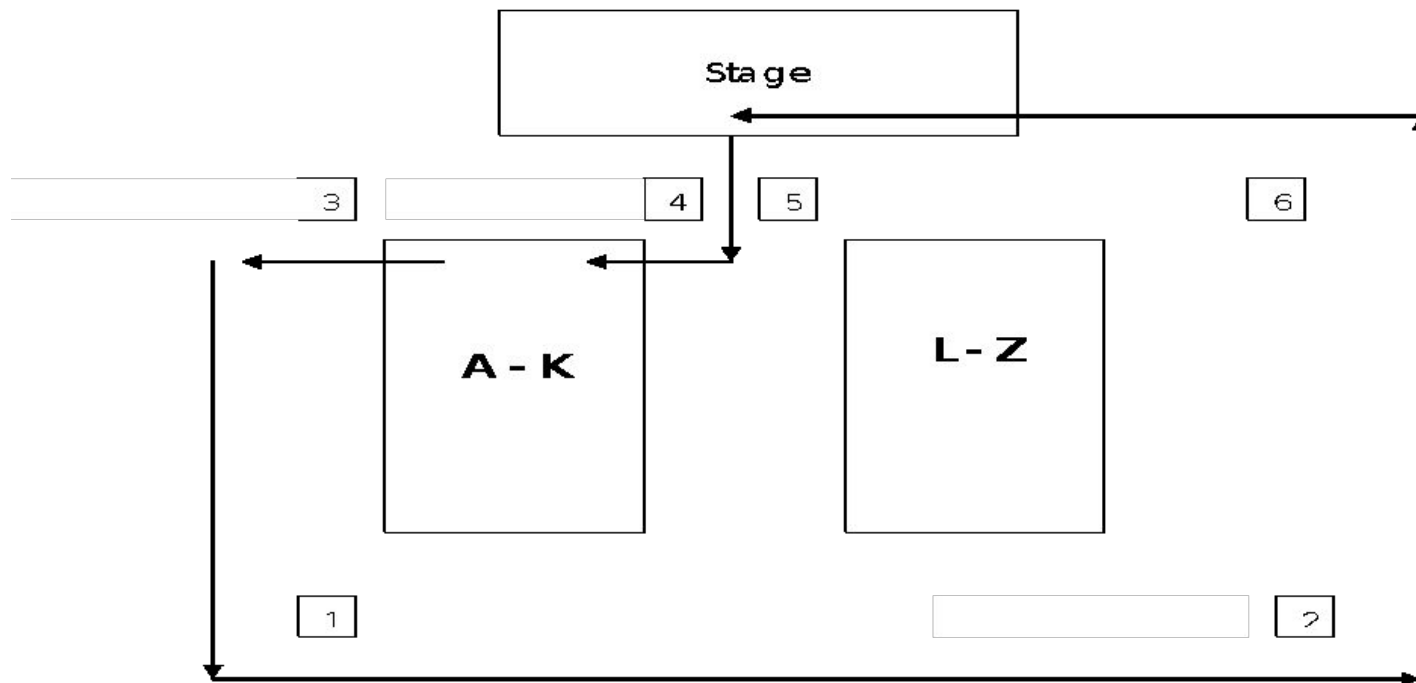
Expectations of Guests

- Guests for the gym must have a ticket and must arrive and be seated **before 6:50**.
- No large gift items (balloons, etc.) will be allowed inside
- The doors will open for guests at 5:30.
- The auditorium seating is on a first-come first-serve basis.
- Guests are not allowed on the gym floor.
- Please remain seated until all of the graduates have left the gym.
- Overflow seating is available in the Auditorium and Cafeteria.
- Parking will be available at the sports complex and at Heartland Baptist Church.
- Shuttle Buses will run from each of these locations.
- Guests who arrive late will have to watch from the cafeteria.

Expectations of Graduates

- Dress appropriately and arrive between 5:30 and 6:00 at the main entrance.
- Report to your room and follow the instructions of the teacher in that room.
- Once you are lined up, stay in that same spot in line - and for seating.
- Your entire room will follow the teacher into the gym and to your row.
- Follow the directions of the Junior Marshalls to the stage.
- Wait for **your** name to be called before going across the stage.
- Take the diploma in your left hand and shake hands with your right hand.
- As you return to your seat, move your tassel from the from left to right.
- Wait for the appropriate time to throw your hats in the air.
- Follow the recessional back to your room to pick up your items.







Vote for Name Readers

- **Must be an AHS certified staff member**
 - **Teacher, Counselor, Social Worker, Administrator**
 - **Put the name on the form and pass it to the left.**
- 

Mr. Bellm

- **NO** senior pranks will be allowed. The Board of Education has made it very clear that they will not tolerate any damage to the school, vandalism, destruction of property, etc...
- Anyone who attempts to participate in this activity will endanger their opportunity to participate in the graduation ceremony.
- No one will be allowed on school property outside of their normal school hours.
- Anyone who is on campus without a legitimate reason to be here will be subject to charges for trespassing.

(Mr. Michael Bellm)

(After Presentation of diplomas)

Graduating class, what you have in your hand now is the diploma cover. Following the recessional, please return to your classrooms to pick up your actual diploma. Audience members, I am asking that all guests please remain in your seats until every graduate has left the gymnasium and allow the graduates to go directly to their classrooms. Graduates will be allowed to return to the gymnasium once they have gathered their diplomas and other awards.

Teachers, please come forward and join your row of students that you escorted into the gymnasium.

As a time honored graduation tradition, I would like to recognize any Alton High School Alumni in attendance tonight. If you are a previous graduate of Alton High School, please stand and be recognized.

Alumni, I present to you, the Alton High School graduating class of 2018.

Food!



Prizes!

2018 After-Grad Party!
Tickets on sale in The Commons
during Tues, Thurs & Fri Lunch Hours!

*Buy yours now to receive the
2018 After-Grad T-shirt!*

**Games and
Inflatables!**



**Only
\$12!**